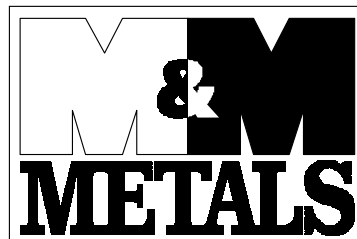
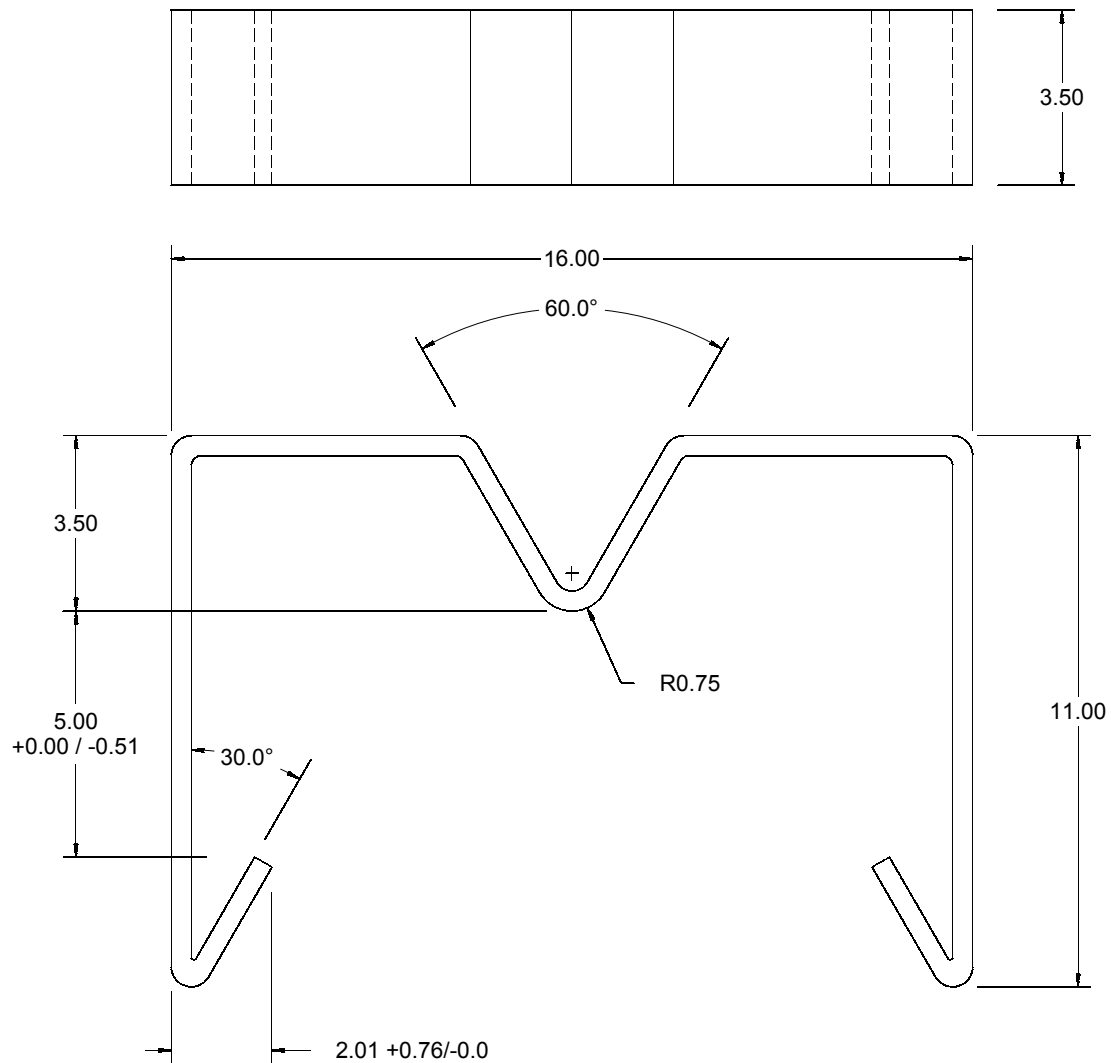


REV.	DATE	DESCRIPTION	ECN#	BY



908 E. PIONEER DR.
 IRVING, TX 75061
 PHONE: 972-721-7174
 FAX: 972-438-1247
 e-mail: heatsink@mmmetals.com
 www.mmmetals.com

4 3 2 1	NOTICE OF PROPRIETARY INFORMATION THIS DOCUMENT IS THE PROPERTY OF M&M METALS AND SHALL NOT BE REPRODUCED OR COPIED, IN WHOLE OR IN PART, WITHOUT THE WRITTEN PERMISSION OF M&M METALS.	TOLERANCE (UNLESS OTHERWISE SPECIFIED) DIMENSIONS ARE METRIC X ± 0.5 XX ± 0.25 ANGLE ± 2°	DWG. BY: B.H. DATE: 6/3/02 CHECKED BY: DATE: APPROVED BY: DATE: ECN#: 0221 DATE: 3/28/02	TITLE BLOCK DO NOT SCALE DRAWING CLIP
		FINISH: UNFINISHED	MATERIAL: .40 301 STAINLESS STEEL	SIZE: A DRAWING NUMBER: MM5102
		REV.: SHEET 1 OF 1		
		NOTES (UNLESS OTHERWISE SPECIFIED)		