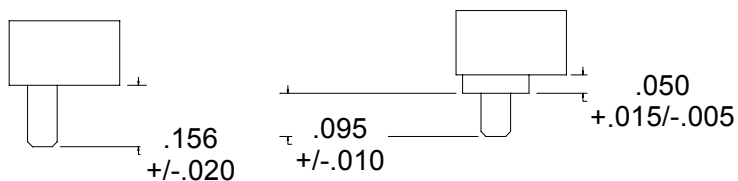


REV.	DATE	DESCRIPTION	ECN#	BY
A	2/25/02	UPDATED DRAWING BORDER--ADDED FINISH TABLE, PART NUMBER TABLE AND DELETED NOTE 1	0209	B.H.

FINISH TABLE	
SUFFIX (*)	FINISH
U	NO FINISH
B	BLACK ANODIZE

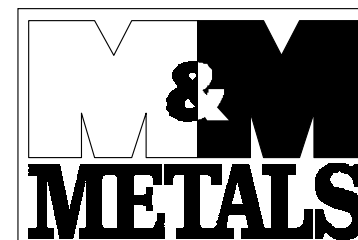
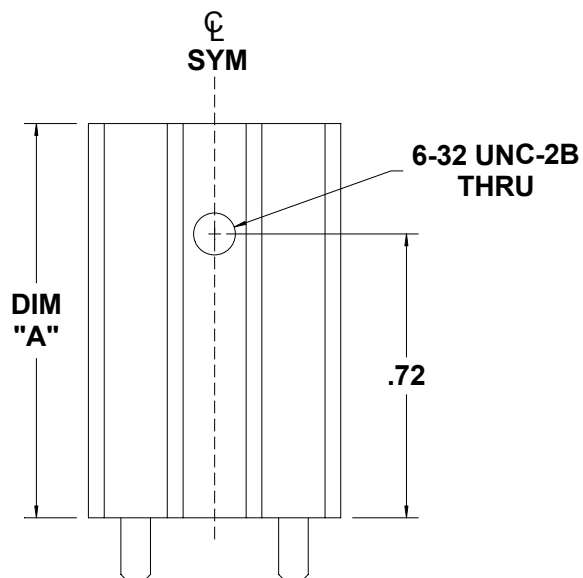
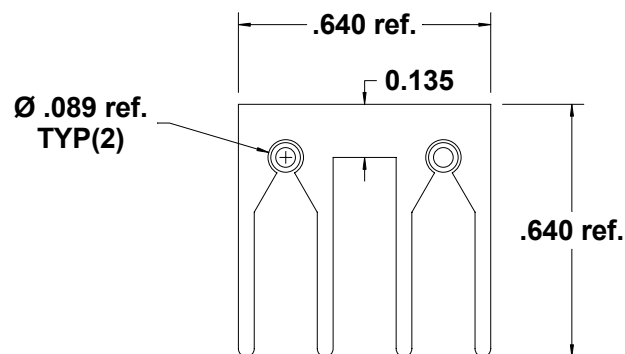
PART NUMBER	DIM. "A"	ROLL PIN
MM5071*-1	1.00	N/A
MM5071*-1.5	1.50	N/A
MM5071*-2	2.00	N/A
MM5071*-1-RP	1.00	RP
MM5071*-1.5-RP	1.50	RP
MM5071*-2-RP	2.00	RP
MM5071*-1-RP2	1.00	RP2
MM5071*-1.5-RP2	1.50	RP2
MM5071*-2-RP2	2.00	RP2

AVAILABLE ROLL PINS



RP

RP2



908 E. PIONEER DR.
 IRVING, TX 75061
 PHONE: 972-721-7174
 FAX: 972-438-1247
 e-mail: heatsink@mmmetals.com
 www.mmmetals.com

4	NOTES (UNLESS OTHERWISE SPECIFIED)
3	
2	
1	

NOTICE OF PROPRIETARY INFORMATION

THIS DOCUMENT IS THE PROPERTY OF M&M METALS AND SHALL NOT BE REPRODUCED OR COPIED, IN WHOLE OR IN PART, WITHOUT THE WRITTEN PERMISSION OF M&M METALS.

TOLERANCE (UNLESS OTHERWISE SPECIFIED)	DWG. BY: B.H.	DATE: 8/22/01
DIMENSIONS IN INCHES XX ± .010 XXX ± .005 ± 1/2° ON ANGLES	CHECKED BY:	DATE:
	APPROVED BY:	DATE:
	ORIGINAL ECN#:	DATE:
FINISH: UNFINISHED OR BLACK ANODIZE	MATERIAL: MM11008	REV: B

TITLE BLOCK	
DO NOT SCALE DRAWING	
MM5071 SERIES	
SIZE: A	DRAWING NUMBER: MM5071
SHEET 1 OF 1	