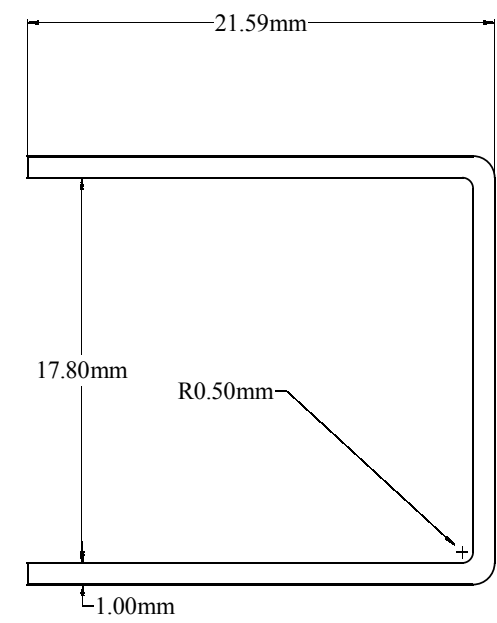
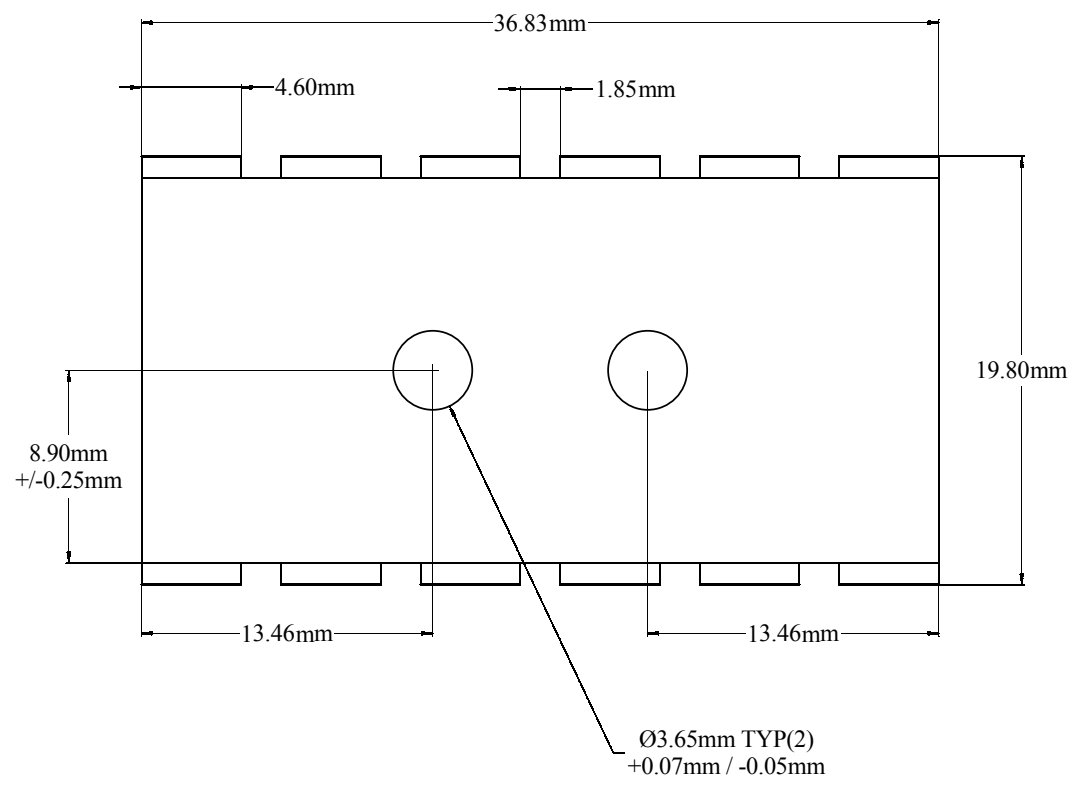


REV.	DATE	DESCRIPTION	ECN#	BY



908 EAST PIONEER DR.  
 IRVING, TX 75061  
 PH 972-721-7174  
 FAX 972-438-1247

4	
3	
2	
1	
<b>NOTES (UNLESS OTHERWISE SPECIFIED)</b>	

**NOTICE OF PROPRIETARY INFORMATION**  
 THIS DOCUMENT IS THE PROPERTY OF M&M METALS  
 AND SHALL NOT BE REPRODUCED OR COPIED IN  
 WHOLE OR IN PART WITHOUT THE WRITTEN  
 PERMISSION OF M&M METALS

TOLERANCE (UNLESS OTHERWISE SPECIFIED)	DWG BY B.H.	DATE 11/17/01
DIMENSION IN MM XX +/- .20 XXX +/- .10	CHECKED BY	DATE
	APPROVED BY	DATE
	ORIG ECN#	DATE
FINISH BLACK ANODIZE	MATERIAL 5052 ALUM.	REV.

TITLE BLOCK	DO NOT SCALE DRAWING
<b>TO 220 STAMPED HEATSINK</b>	
SIZE A	DWG# MM5075
	SHEET 1 OF 1