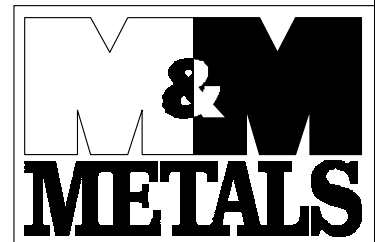
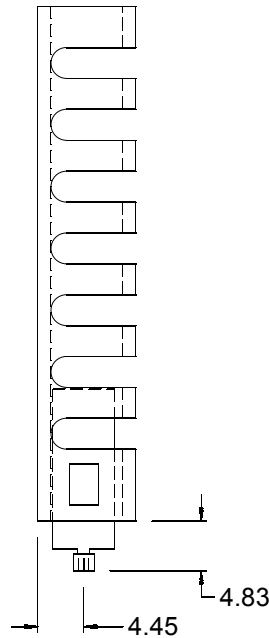
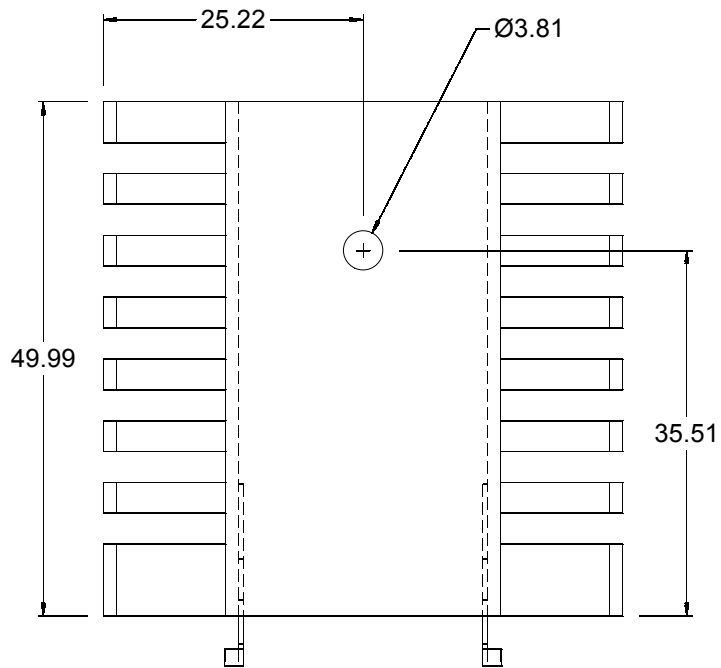
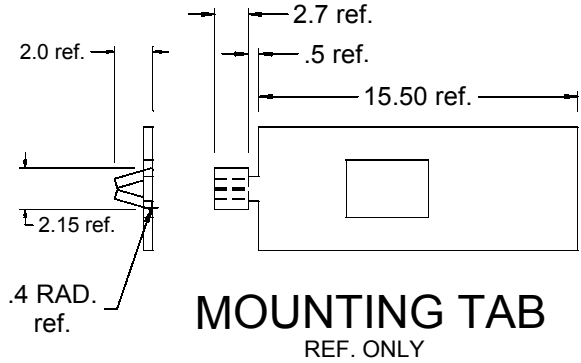
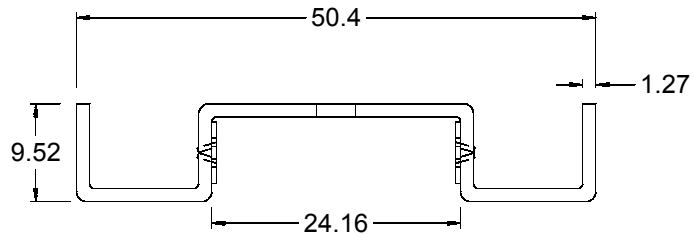


REV.	DATE	DESCRIPTION	ECN#	BY



908 E. PIONEER DR.  
 IRVING, TX 75061  
 PHONE: 972-721-7174  
 FAX: 972-438-1247  
 e-mail: heatsink@mmmetals.com  
 www.mmmetals.com

<b>4</b> <b>3</b> <b>2</b> <b>1</b>	<b>NOTICE OF PROPRIETARY INFORMATION</b>  THIS DOCUMENT IS THE PROPERTY OF M&M METALS AND SHALL NOT BE REPRODUCED OR COPIED, IN WHOLE OR IN PART, WITHOUT THE WRITTEN PERMISSION OF M&M METALS.	TOLERANCE (UNLESS OTHERWISE SPECIFIED) <b>DIMENSIONS ARE METRIC</b> X ± .5 XX ± 0.25	DWG. BY: <b>B.H.</b> DATE: <b>4/15/02</b> CHECKED BY: DATE: APPROVED BY: DATE: ECN#: <b>0221</b> DATE:	TITLE BLOCK <b>DO NOT SCALE DRAWING</b>  <b>MM5078B</b>
		FINISH: BODY: BLACK ANODIZE TAB: TIN PLATED	MATERIAL: AL 1100 T=1.27	SIZE: A DRAWING NUMBER: <b>MM5078</b>
		REV.:	SHEET 1 OF 1	
		<b>NOTES (UNLESS OTHERWISE SPECIFIED)</b>		