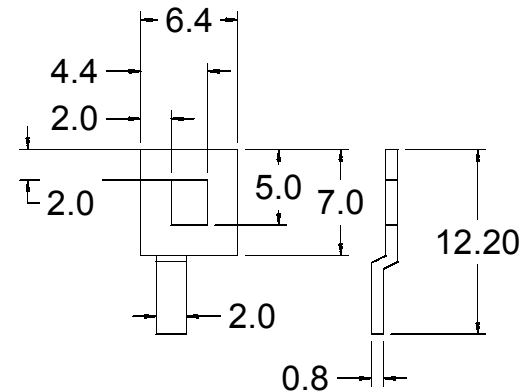
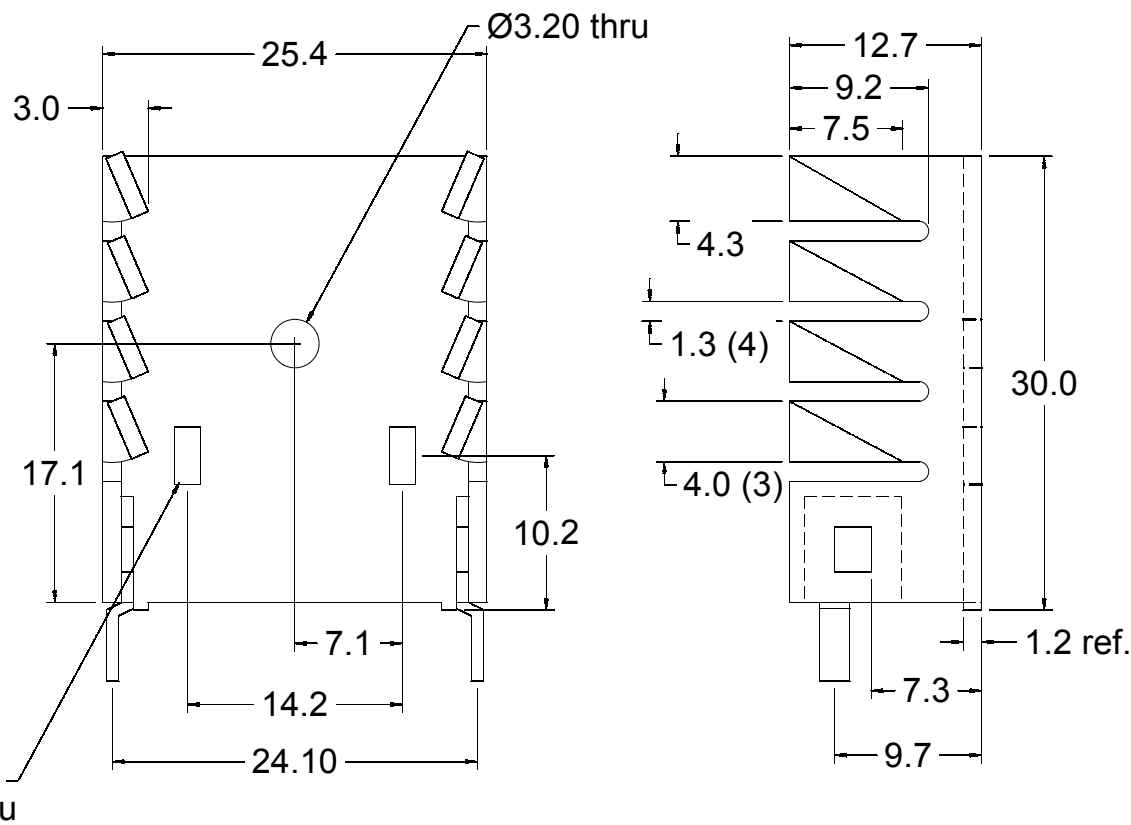
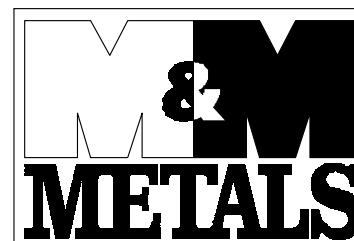
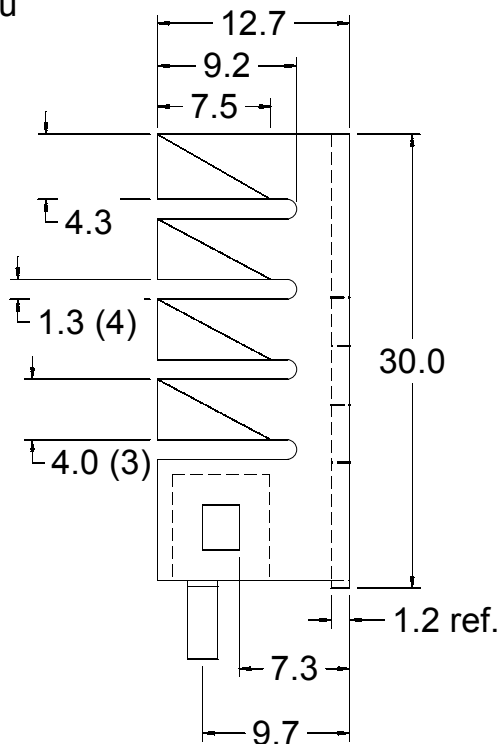


REV.	DATE	DESCRIPTION	ECN#	BY



MOUNTING PIN (2)



908 E. PIONEER DR.
 IRVING, TX 75061
 PHONE: 972-721-7174
 FAX: 972-438-1247
 e-mail: heatsink@mmmetals.com
 www.mmmetals.com

4		NOTICE OF PROPRIETARY INFORMATION THIS DOCUMENT IS THE PROPERTY OF M&M METALS AND SHALL NOT BE REPRODUCED OR COPIED, IN WHOLE OR IN PART, WITHOUT THE WRITTEN PERMISSION OF M&M METALS.	TOLERANCE (UNLESS OTHERWISE SPECIFIED) DIMENSIONS ARE METRIC UNIT ± 0.5 X ± 0.2 XX ± 0.1 XXX ± 0.00	DWG. BY: B.H.	DATE: 3/5/02	TITLE BLOCK DO NOT SCALE DRAWING	
3				CHECKED BY:	DATE:	TO-220 STAMPING MM5090	
2				APPROVED BY:	DATE:		
1	REMOVE ALL BURRS & SHARP EDGES			ECN#: 0213	DATE:	SIZE: A	DRAWING NUMBER: MM5090
NOTES (UNLESS OTHERWISE SPECIFIED)				FINISH: BLACK ANODIZE	MATERIAL: AL 1050, T=1.2mm	REV.:	SHEET 1 OF 1