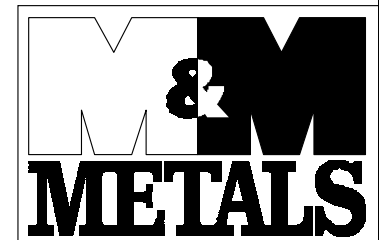
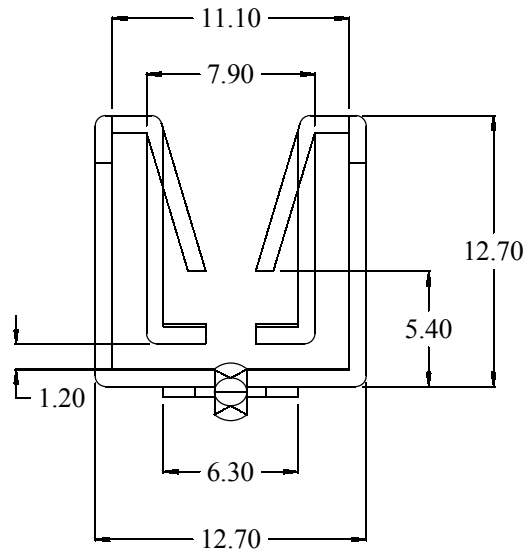
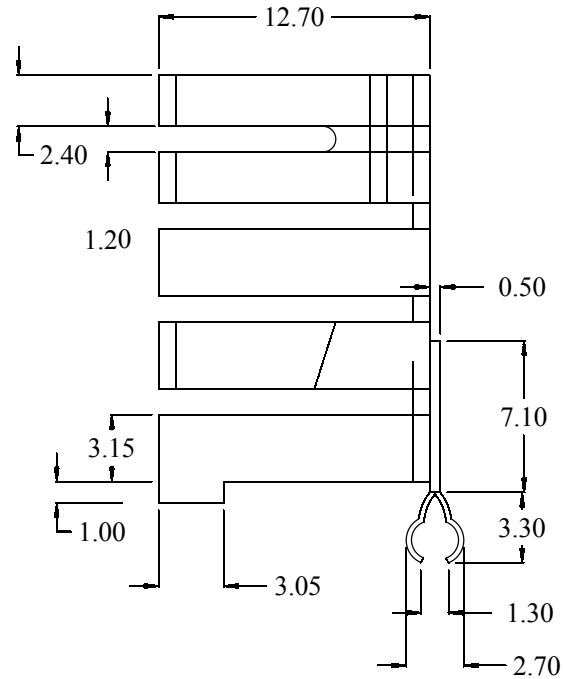
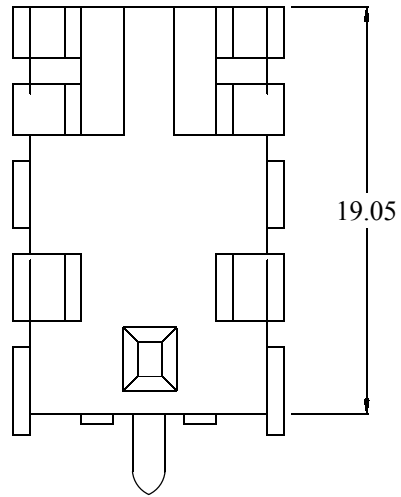


REV.	DATE	DESCRIPTION	ECN#	BY



908 E. PIONEER DR.
 IRVING, TX 75061
 PHONE: 972-721-7174
 FAX: 972-438-1247
 e-mail: heatsink@mmmetals.com
 www.mmmetals.com

4	NOTES (UNLESS OTHERWISE SPECIFIED)
3	
2	
1	

NOTICE OF PROPRIETARY INFORMATION

THIS DOCUMENT IS THE PROPERTY OF M&M METALS AND SHALL NOT BE REPRODUCED OR COPIED, IN WHOLE OR IN PART, WITHOUT THE WRITTEN PERMISSION OF M&M METALS.

TOLERANCE (UNLESS OTHERWISE SPECIFIED)	DWG. BY: B.H.	DATE: 4/4/02
DIMENSIONS ARE METRIC UNIT +/- 0.25	CHECKED BY:	DATE:
	APPROVED BY:	DATE:
	ECN#: 0221	DATE:
FINISH: BLACK ANODIZE	MATERIAL: AL5052 T=.080mm	REV.:

TITLE BLOCK	<i>DO NOT SCALE DRAWING</i>
MM5093B	
SIZE: A	DRAWING NUMBER: MM5093
SHEET 1 OF 1	