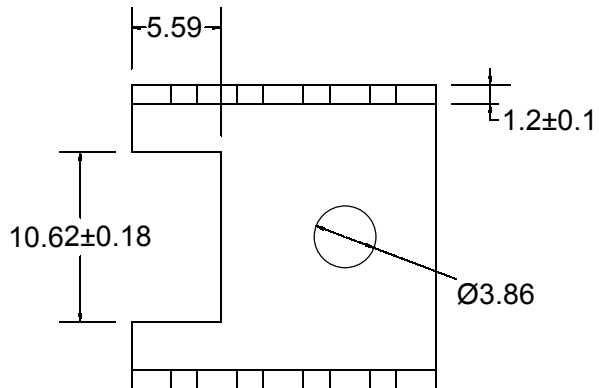
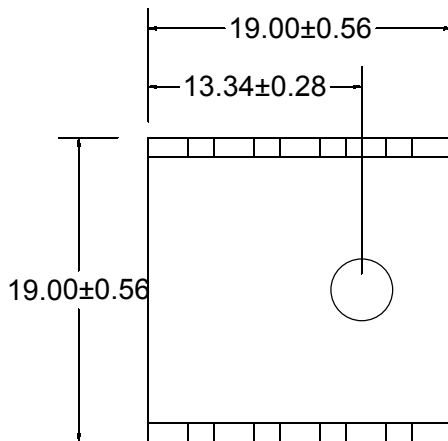


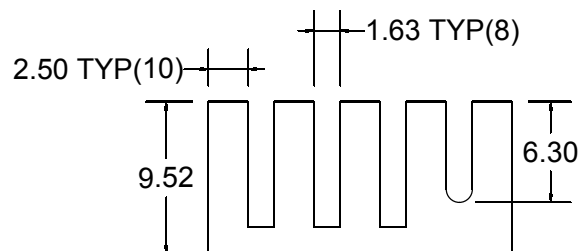
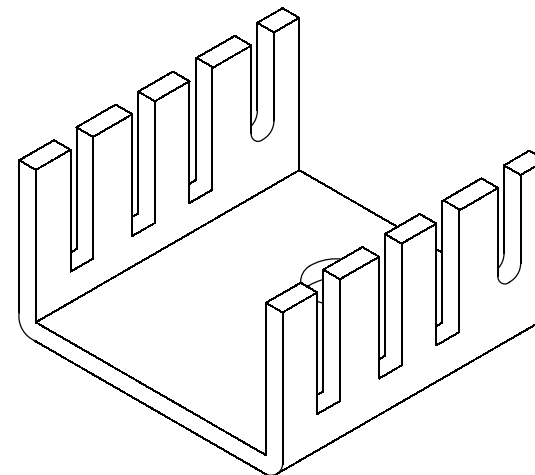
REV.	DATE	DESCRIPTION	ECN#	BY



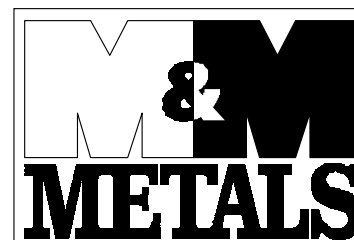
**A**



**B**



CODE	PART NUMBER
A	MM5095B-1
B	MM5095B-2



908 E. PIONEER DR.  
 IRVING, TX 75061  
 PHONE: 972-721-7174  
 FAX: 972-438-1247  
 e-mail: heatsink@mmmetals.com  
 www.mmmetals.com

4	<b>NOTES (UNLESS OTHERWISE SPECIFIED)</b>
3	
2	
1	

**NOTICE OF PROPRIETARY INFORMATION**

THIS DOCUMENT IS THE PROPERTY OF M&M METALS AND SHALL NOT BE REPRODUCED OR COPIED, IN WHOLE OR IN PART, WITHOUT THE WRITTEN PERMISSION OF M&M METALS.

TOLERANCE (UNLESS OTHERWISE SPECIFIED)	DWG. BY: B.H.	DATE: 4/4/02
DIMENSIONS ARE METRIC UNIT +/- 0.2	CHECKED BY:	DATE:
	APPROVED BY:	DATE:
	ECN#: 0221	DATE:
FINISH: BLACK ANODIZE	MATERIAL: ALUMINUM 1100 T=1.2	REV.:

TITLE BLOCK	
<i>DO NOT SCALE DRAWING</i>	
MM5095 SERIES	
SIZE: A	DRAWING NUMBER: <b>MM5095</b>
SHEET 1 OF 1	