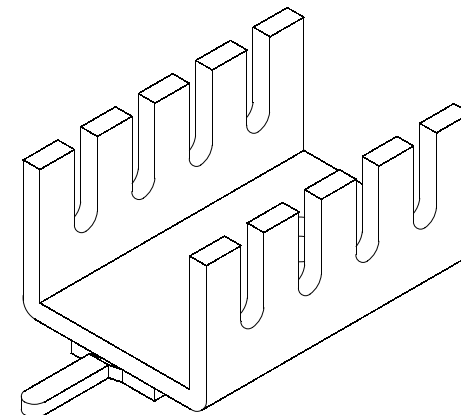
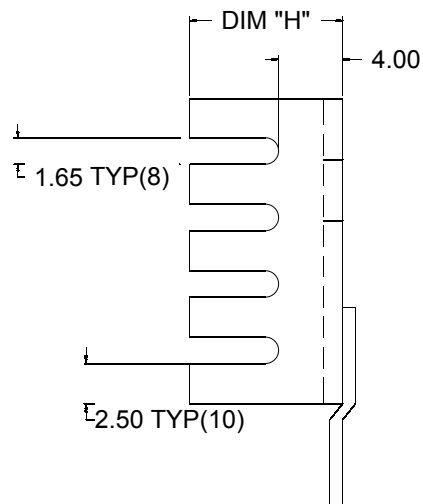
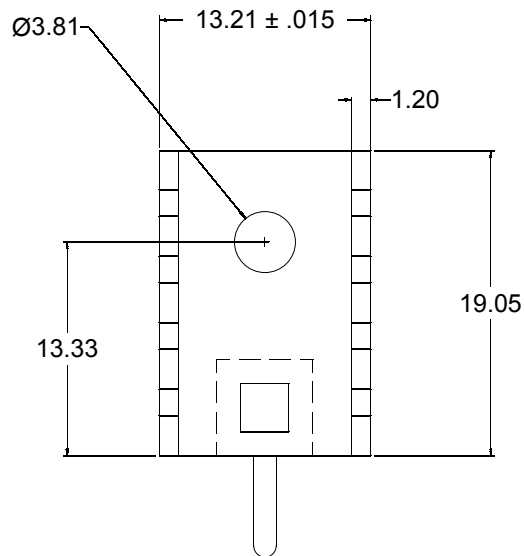
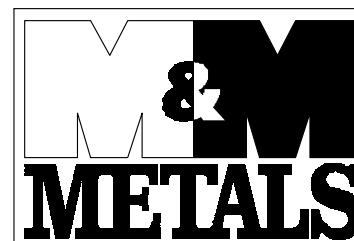


REV.	DATE	DESCRIPTION	ECN#	BY



DIM "H"	PART NUMBER
6.35	MM5096B-1
9.53	MM5096B-2
12.70	MM5096B-3



908 E. PIONEER DR.
 IRVING, TX 75061
 PHONE: 972-721-7174
 FAX: 972-438-1247
 e-mail: heatsink@mmmetals.com
 www.mmmetals.com

4	NOTICE OF PROPRIETARY INFORMATION	TOLERANCE (UNLESS OTHERWISE SPECIFIED)	DWG. BY: B.H.	DATE: 4/4/02	TITLE BLOCK	DO NOT SCALE DRAWING	
		DIMENSIONS ARE METRIC UNIT +/- 0.25	CHECKED BY:	DATE:	MM5096 SERIES		
			APPROVED BY:	DATE:			
			ECN#: 0221	DATE:			
1	NOTES (UNLESS OTHERWISE SPECIFIED)	FINISH: BLACK ANODIZE	MATERIAL: ALUMINUM 1100 T=1.2	REV.:	SIZE: A	DRAWING NUMBER: MM5096	SHEET 1 OF 1

THIS DOCUMENT IS THE PROPERTY OF M&M METALS AND SHALL NOT BE REPRODUCED OR COPIED, IN WHOLE OR IN PART, WITHOUT THE WRITTEN PERMISSION OF M&M METALS.