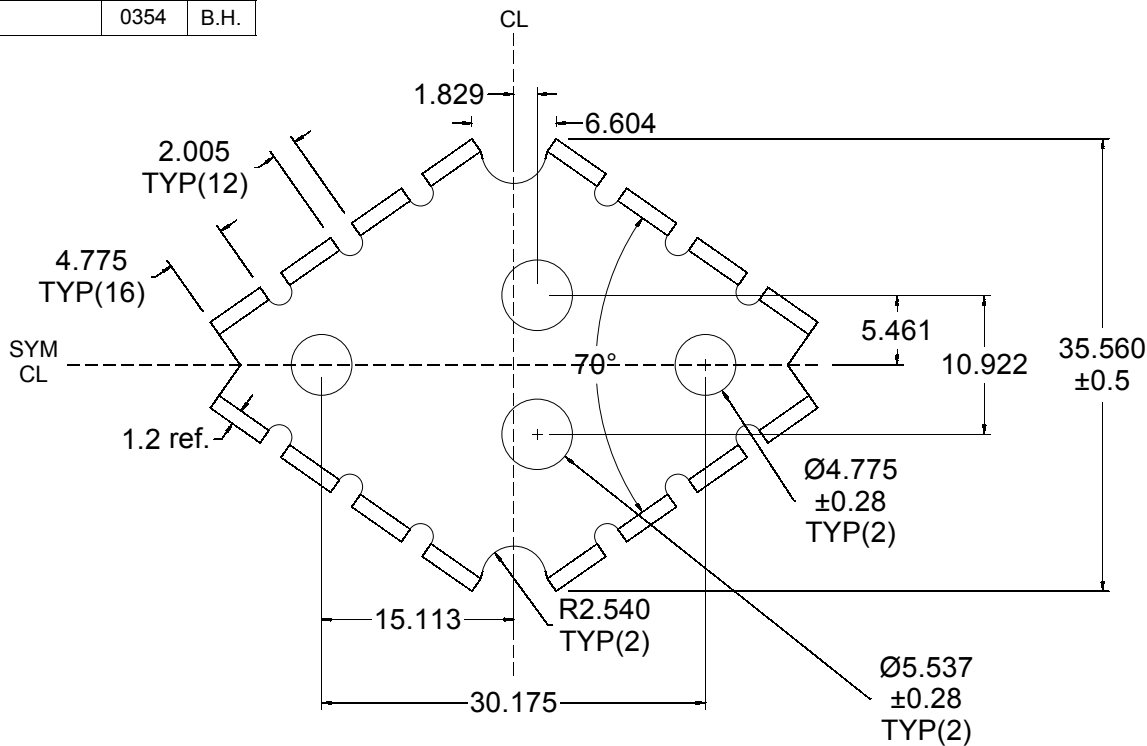
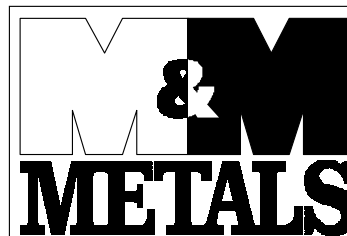
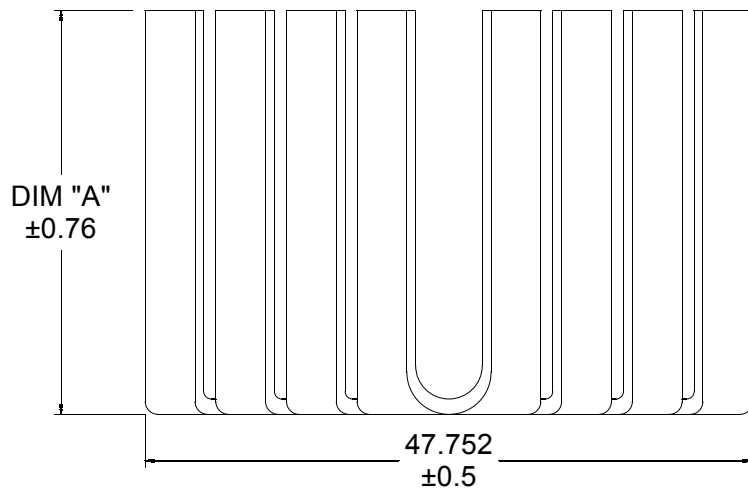


REV.	DATE	DESCRIPTION	ECN#	BY
A	11/8/02	ADDED PART NUMBER TABLE	0354	B.H.



PART NUMBER	DIM "A"
MM5108B-1	12.7
MM5108B-2	19.1
MM5108B-3	25.4
MM5108B-4	31.8



908 E. PIONEER DR.
 IRVING, TX 75061
 PHONE: 972-721-7174
 FAX: 972-438-1247
 e-mail: heatsink@mmmetals.com
 www.mmmetals.com

4	
3	
2	
1	
NOTES (UNLESS OTHERWISE SPECIFIED)	

NOTICE OF PROPRIETARY INFORMATION

THIS DOCUMENT IS THE PROPERTY OF M&M METALS AND SHALL NOT BE REPRODUCED OR COPIED, IN WHOLE OR IN PART, WITHOUT THE WRITTEN PERMISSION OF M&M METALS.

TOLERANCE (UNLESS OTHERWISE SPECIFIED)	DWG. BY: B.H.	DATE: 8/9/02
DIMENSIONS ARE METRIC UNIT +/- 0.25	CHECKED BY:	DATE:
	APPROVED BY:	DATE:
	ECN#: 0283	DATE: 7/31/02
FINISH: BLACK ANODIZE	MATERIAL: ALUMINUM 1100 T=1.2	REV.: A

TITLE BLOCK	
<i>DO NOT SCALE DRAWING</i>	
MM5108 SERIES	
SIZE: A	DRAWING NUMBER: MM5108
SHEET 1 OF 1	