

REV.	DATE	DESCRIPTION	ECN#	BY

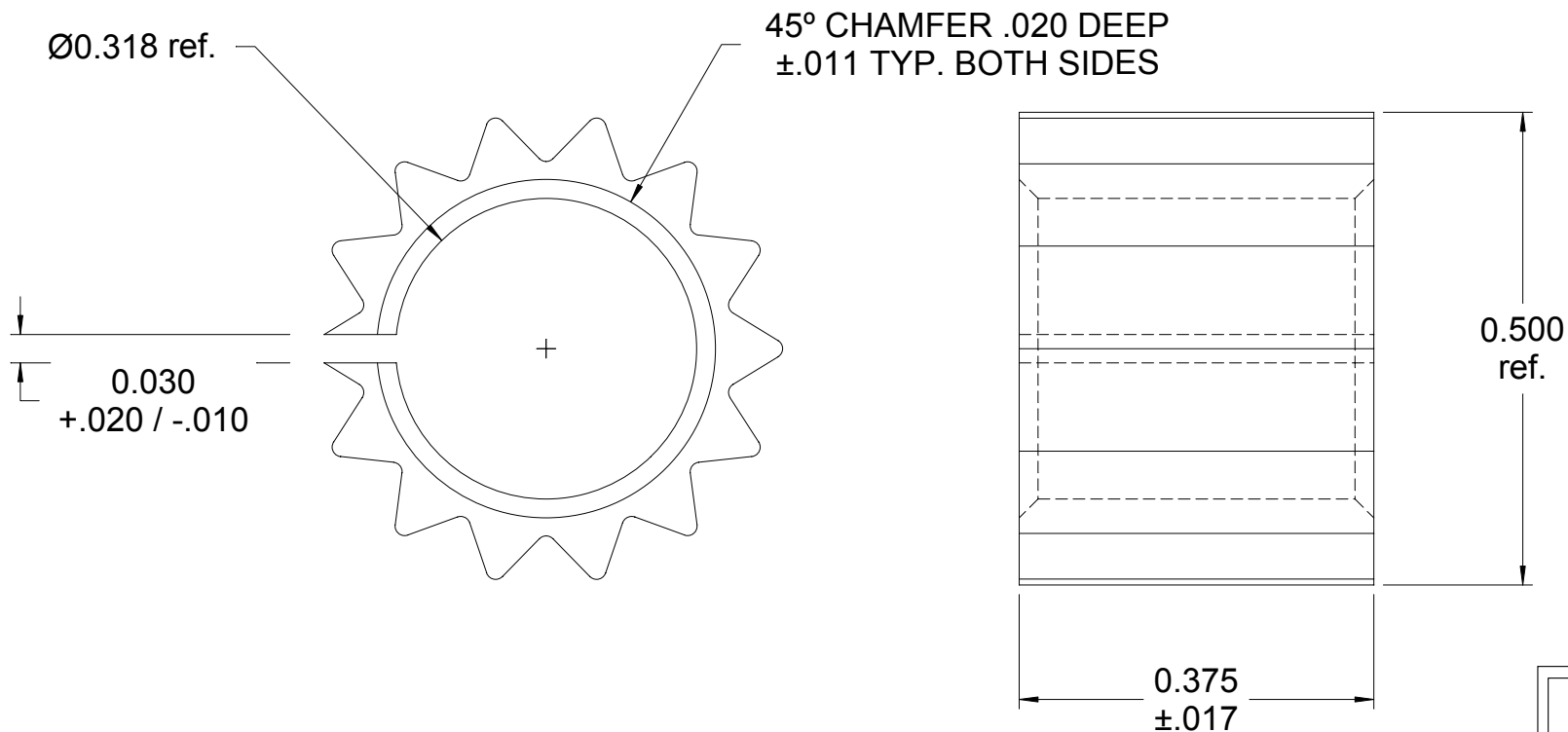
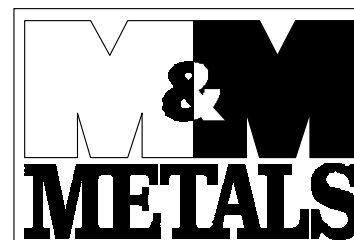


TABLE 1

PART NUMBER	FINISH
MM5109B	BLACK ANODIZE
MM5109R	RED ANODIZE



908 E. PIONEER DR.
 IRVING, TX 75061
 PHONE: 972-721-7174
 FAX: 972-438-1247
 e-mail: heatsink@mmmetals.com
 www.mmmetals.com

4		NOTICE OF PROPRIETARY INFORMATION THIS DOCUMENT IS THE PROPERTY OF M&M METALS AND SHALL NOT BE REPRODUCED OR COPIED, IN WHOLE OR IN PART, WITHOUT THE WRITTEN PERMISSION OF M&M METALS.	TOLERANCE (UNLESS OTHERWISE SPECIFIED) DIMENSIONS IN INCHES $X.XX = \pm 0.10$ $X.XXX = \pm 0.005$ $ANGLE = \pm 1/2^\circ$	DWG. BY: B.H.	DATE: 9/20/02	TITLE BLOCK	<i>DO NOT SCALE DRAWING</i>
3				CHECKED BY:	DATE:	MM5109 SERIES	
2	PART TO BE CLEAN AND FREE OF DIRT, GREASE, OR CONTAMINATES			APPROVED BY:	DATE:		
1	REMOVE ALL BURRS AND SHARP EDGES			FINISH: SEE TABLE 1 MATERIAL: MM80023	ECN#: 0317 DATE: 9/19/02	SIZE: A DRAWING NUMBER: MM5109	SHEET 1 OF 1

NOTES (UNLESS OTHERWISE SPECIFIED)