

REV.	DATE	DESCRIPTION	ECN#	BY

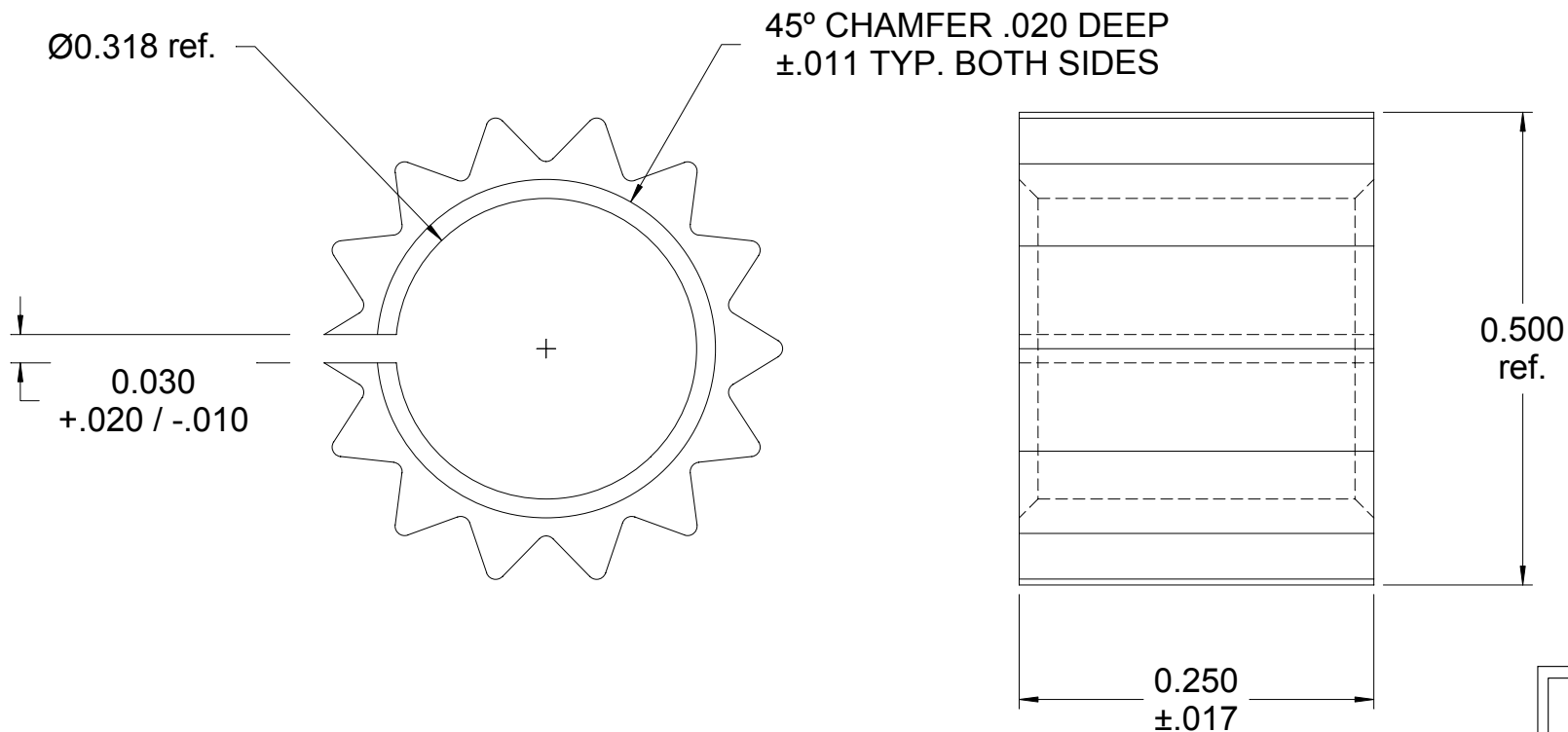
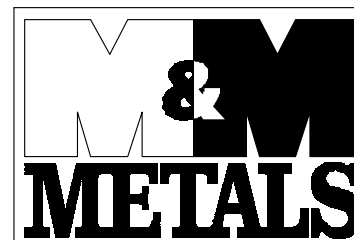


TABLE 1

PART NUMBER	FINISH
MM5110B	BLACK ANODIZE
MM5110R	RED ANODIZE



908 E. PIONEER DR.
 IRVING, TX 75061
 PHONE: 972-721-7174
 FAX: 972-438-1247
 e-mail: heatsink@mmmetals.com
 www.mmmetals.com

4		NOTICE OF PROPRIETARY INFORMATION THIS DOCUMENT IS THE PROPERTY OF M&M METALS AND SHALL NOT BE REPRODUCED OR COPIED, IN WHOLE OR IN PART, WITHOUT THE WRITTEN PERMISSION OF M&M METALS.	TOLERANCE (UNLESS OTHERWISE SPECIFIED) DIMENSIONS IN INCHES X.XX = ± 0.10 X.XXX = ± 0.005 ANGLE = $\pm 1/2^\circ$	DWG. BY: B.H.	DATE: 9/20/02	TITLE BLOCK DO NOT SCALE DRAWING MM5110 SERIES
3				CHECKED BY:	DATE:	
2	PART TO BE CLEAN AND FREE OF DIRT, GREASE, OR CONTAMINATES			APPROVED BY:	DATE:	
1	REMOVE ALL BURRS AND SHARP EDGES			ECN#: 0317	DATE: 9/19/02	SIZE: A
NOTES (UNLESS OTHERWISE SPECIFIED)			FINISH: SEE TABLE 1	MATERIAL: MM80023	REV.:	SHEET 1 OF 1