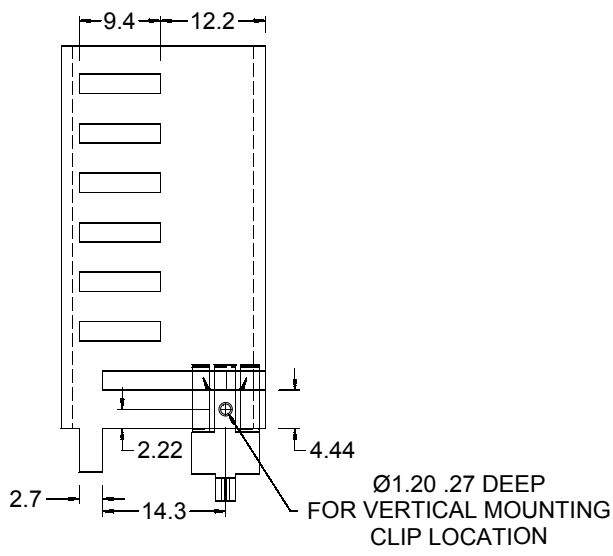
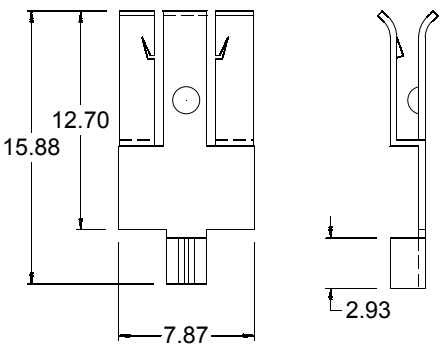


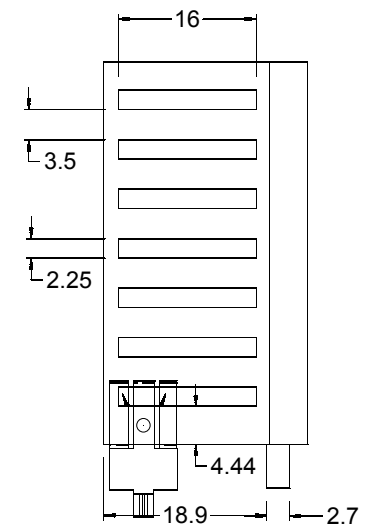
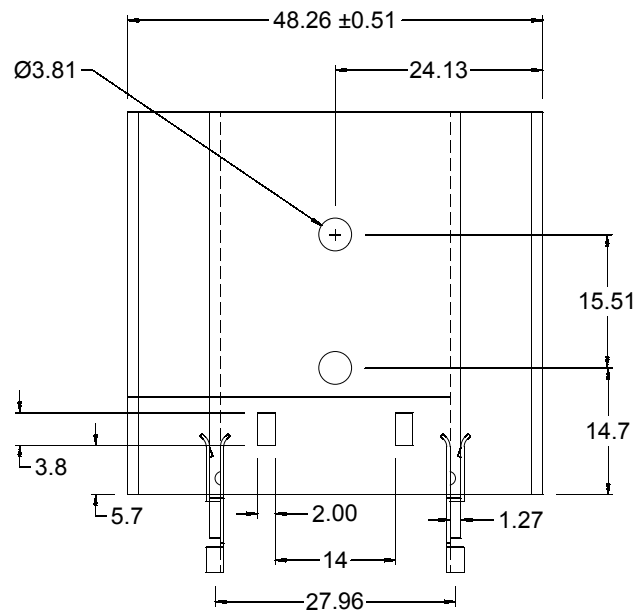
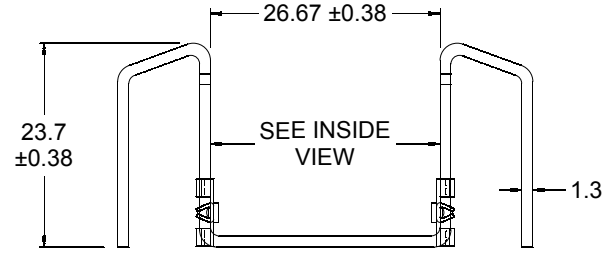
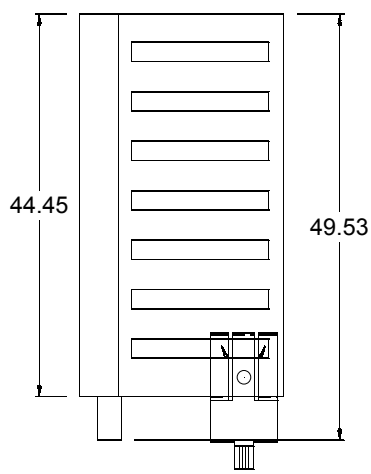
REV.	DATE	DESCRIPTION	ECN#	BY
------	------	-------------	------	----



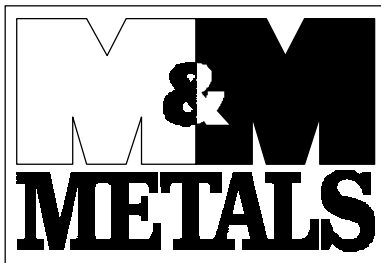
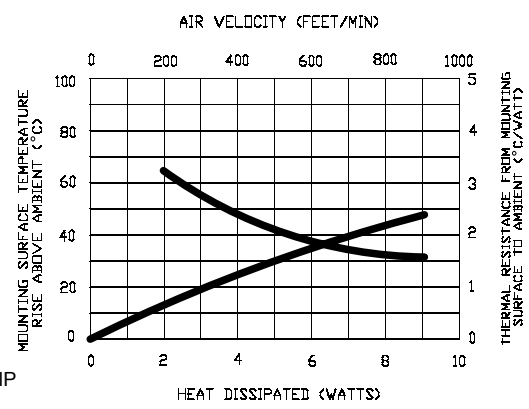
INSIDE VIEW



VERTICAL MOUNTING CLIP  
reference only  
SCALE 2:1



PART NUMBER	DESCRIPTION
MM5113B	STAMPING ONLY
MM5113B-1	MM5113B WITH VERTICAL MOUNTING CLIP (SHOWN)
MM5113B-2	MM5113B-1 WITH MM5103 CLIP



908 E. PIONEER DR.  
IRVING, TX 75061  
PHONE: 972-721-7174  
FAX: 972-438-1247  
e-mail: heatsink@mmmetals.com  
www.mmmetals.com

4	
3	
2	
1	

NOTES (UNLESS OTHERWISE SPECIFIED)

**NOTICE OF PROPRIETARY INFORMATION**  
THIS DOCUMENT IS THE PROPERTY OF M&M METALS AND SHALL NOT BE REPRODUCED OR COPIED, IN WHOLE OR IN PART, WITHOUT THE WRITTEN PERMISSION OF M&M METALS.

TOLERANCE (UNLESS OTHERWISE SPECIFIED)	DWG. BY: B.H.	DATE: 12/13/02
DIMENSIONS ARE METRIC	CHECKED BY:	DATE:
UNIT +/- 0.25	APPROVED BY:	DATE:
FINISH: BLACK ANODIZED	ECN#: 0368	DATE: 12/12/02
MATERIAL: 1.3 6063-T5 ALUM.	REV.:	

TITLE BLOCK	DO NOT SCALE DRAWING
MM5113 SERIES	
SIZE: A	DRAWING NUMBER: MM5113
SHEET 1 OF 1	